

CATALOGO PARTI DI RICAMBIO

SPARE PARTS CATALOGUE



Aria Wheels Srls

Registered Office_Via della Divisione Torino, 92 00143 Rome - Italy
Production Department_Via A.Volta 7/G 36030 Costabissara (VI) - Italy
TEL. / FAX +39 04441322533 | VAT id IT 12848301003 | email : info@ariawheels.com

2.0 AI

CODE / CODICE
ARIA2_0

TYPE / TIPO
PRODUCT / PRODOTTO

SPARE PARTS / PARTI DI RICAMBIO

CLICK ON THE NUMBER TO BE REDIRECTED
ON THE PAGE OF INTEREST

CLICCA SUL NUMERO PER ESSERE REINDIRIZZATO
SULLA PAGINA DI INTERESSE

REAR SIDE

PARTE POSTERIORE

RIGHT SIDE
LATO DESTRO



LEFT SIDE

LATO SINISTRO



ARIA2_0

2 Ver. Apr 2019

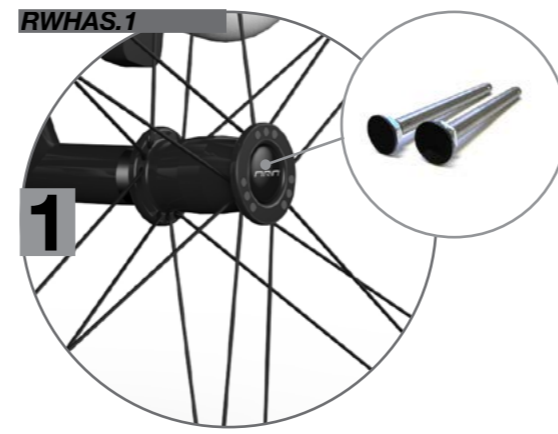
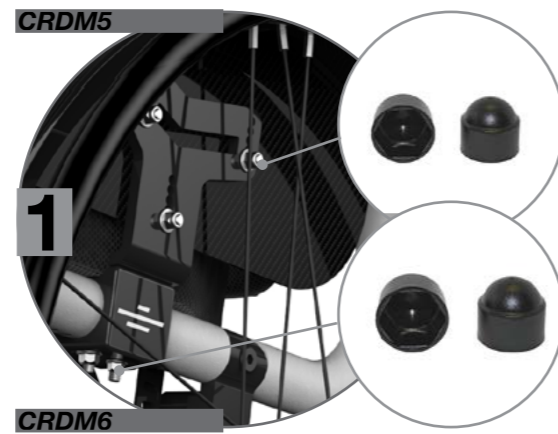
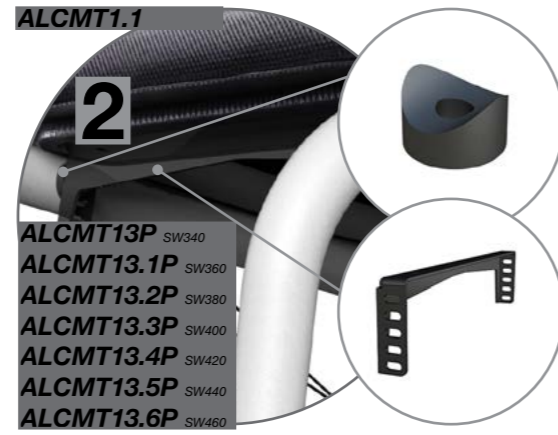
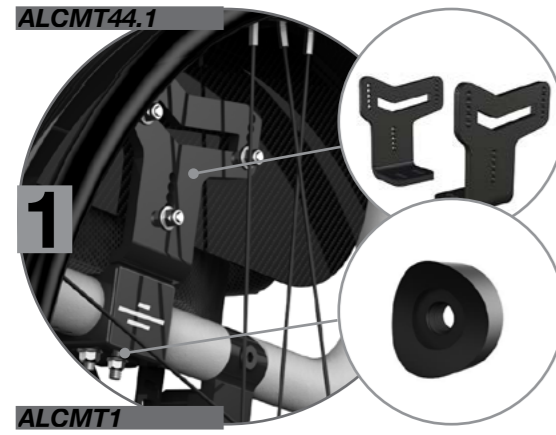
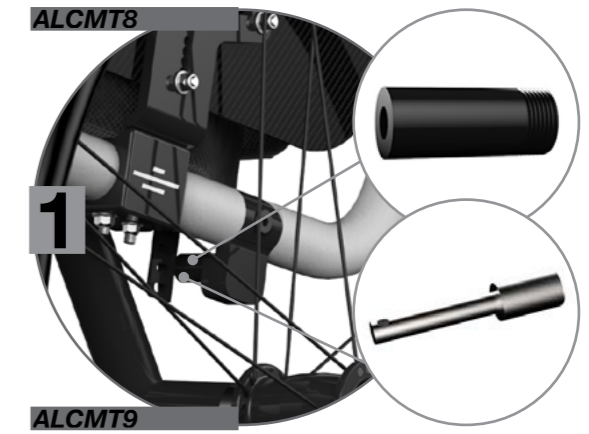
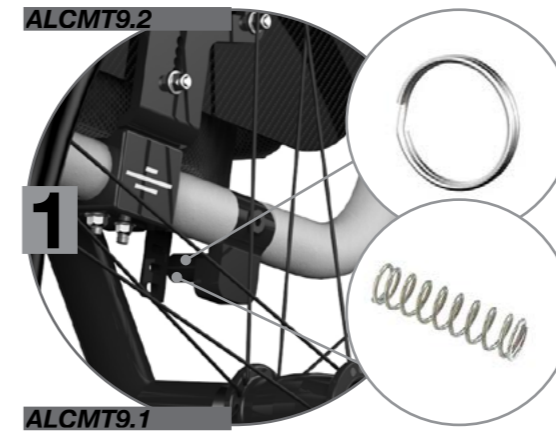
www.ariawheels.com

2.0 AI

CODE / CODICE
ARIA2_0

TYPE / TIPO
PRODUCT / PRODOTTO

SPARE PARTS / PARTI DI RICAMBIO



BOM AND KIT MANAGEMENT

ALCMT1 Pom-C Black tube adapter for CG adjustment Mod. 1.0Mg and ULTRA
ALCMT1.1 Pom-C Black tube adapter for seat pan support
ALCMT7 Axle / Frame connection part Sliding bushing
ALCMT8 Folding backrest Part 1 thread 15x1
ALCMT9 Backrest folding part 2 stainless steel
ALCMT9.1 Spring for backrest folding system
ALCMT9.2 Steel ring for backrest folding system
ALCMT15 Clamp for angle adjustment backrests
ALCMT18 Fixed Junction DX
ALCMT19 Fixed Junction SX
ALCMT30 Aria 2.0 footrest clamp Al black anodized
ALCMT44.1 Black matte painted sideguards support
ALCMT46 Footrest adaptation tubes for Aria 2.0
BULL4 Stainless steel screws with hexagonal hollow cylindrical test M5 x 20mm
BULL5 Stainless steel Hexagonal socket head screws M6 x 60mm
BULL8 Stainless steel washer outer diameter 18 mm, hole diameter 6 mm DIN 9021
BULL9 Stainless steel washer outer diameter 10 mm, hole diameter 5 mm
BULL12 BOSSARD Hexalobular stainless steel socket head cap screw M5x16

BULL13 Lock Nut Inox M5
BULL14 Lock Nut Inox M6 DIN 982
BULL22 Stainless steel washer outer diameter 12 mm, hole diameter 6 mm
BULL38 Hexagon flat head stainless steel screws M6 x 25mm
BULL39 Lock Nut Inox M6 - lowered
BULL40 Rectified bolt TC M6 x 20mm for 2.0 AI and 1.0 Mg - V 19
BULL47 Stainless steel screws with hexagonal hollow cylindrical head M4 x 14mm
BULL51 Elastic washer for M5
CRDM5 Lock Nut Black Plastic Cover M5
CRDM6 Lock Nut Black Plastic Cover M6
FRAME32 Black painted footrest Ø18x2 for Aria 2.0
CARB2.3 Custom carbon fibre seat pan for the products Aria 1.0 and Aria 2.0
VAR2.1 Seal for carbon fiber elements - seat plate
VAR1 Velcro adhesive 5 cm
VAR3 Backrest rope 1m
FTRCT1-3 Footrest cover SW... for Aria 2.0
ALCMT13P-6 Seating support black painted SW...
RWHAS.1 Quick release axle 1/2" L 104mm cap with logo Aria®

1.0 Mg

CODE / CODICE
ARIA1_0

TYPE / TIPO
PRODUCT / PRODOTTO

SPARE PARTS / PARTI DI RICAMBIO

CLICK ON THE NUMBER TO BE REDIRECTED
ON THE PAGE OF INTEREST

CLICCA SUL NUMERO PER ESSERE REINDIRIZZATO
SULLA PAGINA DI INTERESSE

REAR SIDE

PARTE POSTERIORE

RIGHT SIDE

LATO DESTRO



LEFT SIDE

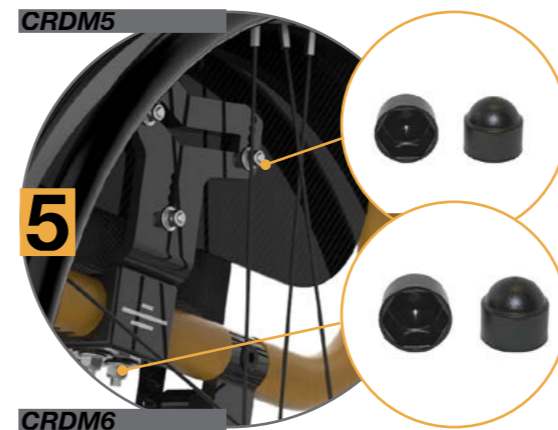
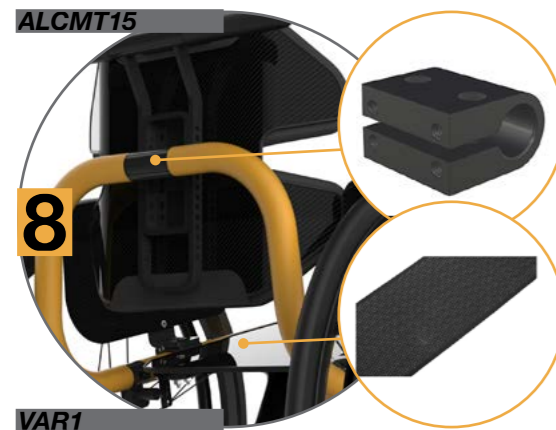
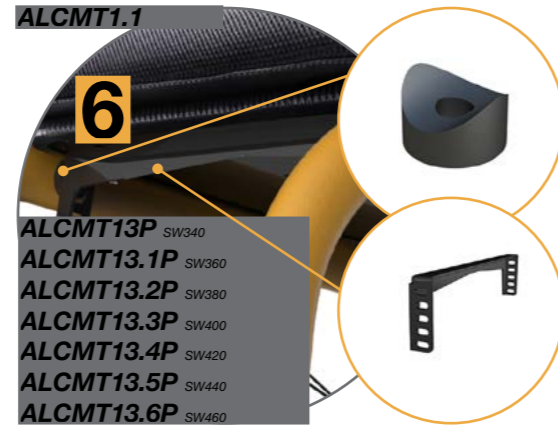
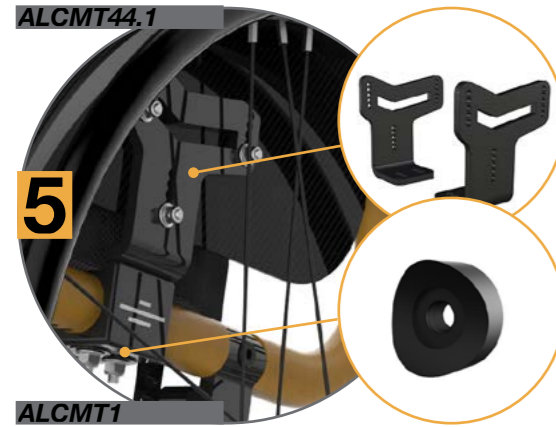
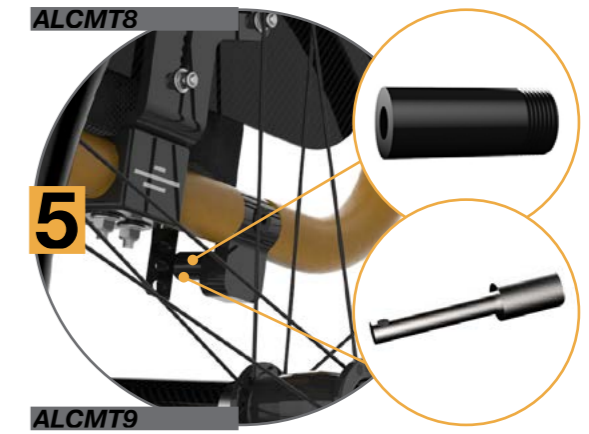
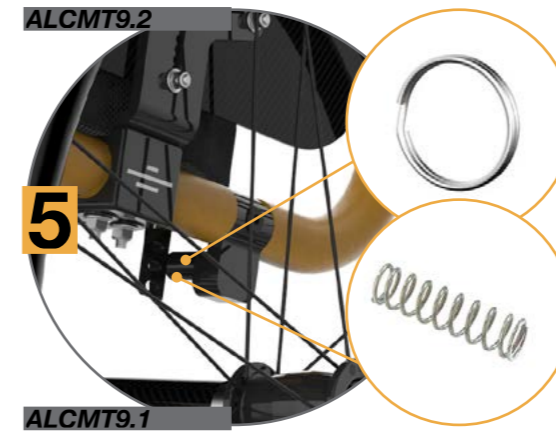
LATO SINISTRO

1.0 Mg

CODE / CODICE
ARIA1_0

TYPE / TIPO
PRODUCT / PRODOTTO

SPARE PARTS / PARTI DI RICAMBIO



BOM AND KIT MANAGEMENT

ALCMT1 Pom-C Black tube adapter for CG adjustment Mod. 1.0Mg and ULTRA
ALCMT1.1 Pom-C Black tube adapter for seat pan support
ALCMT5 Footrest Pom-C black bushing for Aria 1.0
ALCMT7 Axle / Frame connection part Sliding bushing
ALCMT8 Folding backrest Part 1 thread 15x1
ALCMT9 Backrest folding part 2 stainless steel
ALCMT9.1 Spring for backrest folding system
ALCMT9.2 Steel ring for backrest folding system
ALCMT15 Clamp for angle adjustment backrests
ALCMT18 Fixed Junction DX
ALCMT19 Fixed Junction SX
ALCMT44.1 Black matte painted sideguards support
BULL2 Stainless steel screw with a cylindrical hexagonal socket head M5 x 30mm
BULL4 Stainless steel screws with hexagonal hollow cylindrical test M5 x 20mm
BULL5 Stainless steel Hexagonal socket head screws M6 x 60mm
BULL8 Stainless steel washer outer diameter 18 mm, hole diameter 6 mm DIN 9021
BULL9 Stainless steel washer outer diameter 10 mm, hole diameter 5 mm
BULL12 BOSSARD Hexalobular stainless steel socket head cap screw M5x16

BULL13 Lock Nut Inox M5
BULL14 Lock Nut Inox M6 DIN 982
BULL39 Lock Nut Inox M6 - lowered
BULL40 Rectified bolt TC M6 x 20mm for 2.0 AI and 1.0 Mg - V 19
BULL47 Stainless steel screws with hexagonal hollow cylindrical head M4 x 14mm
BULL51 Elastic washer for M5
CRDM5 Lock Nut Black Plastic Cover M5
CRDM6 Lock Nut Black Plastic Cover M6
CARB2.3 Custom carbon fibre seat pan for the products Aria 1.0 and Aria 2.0
VAR2.1 Seal for carbon fiber elements - seat plate
FRAME59V Black painted footrest Ø22x2,5 for 1.0Mg V19 - pair
VAR1 Velcro adhesive 5 cm
VAR3 Backrest rope 1m
FTRCT5-11 Footrest cover in carbon fibre SW... for ULTRA and Aria 1.0 Mg
ALCMT13P-6 Seating support black painted SW...
RWHAS.1 Quick release axle 1/2" L 104mm cap with logo Aria®
ALCMT43 Footrest Clamp for 1.0 Mg and ULTRA

ULTRON

CODE / CODICE
ULTRA

TYPE / TIPO
PRODUCT / PRODOTTO

SPARE PARTS / PARTI DI RICAMBIO

CLICK ON THE NUMBER TO BE REDIRECTED
ON THE PAGE OF INTEREST

CLICCA SUL NUMERO PER ESSERE REINDIRIZZATO
SULLA PAGINA DI INTERESSE

REAR SIDE

PARTE POSTERIORE

RIGHT SIDE
LATO DESTRO



LEFT SIDE

LATO SINISTRO

ULTRA

6 Ver. Apr 2019

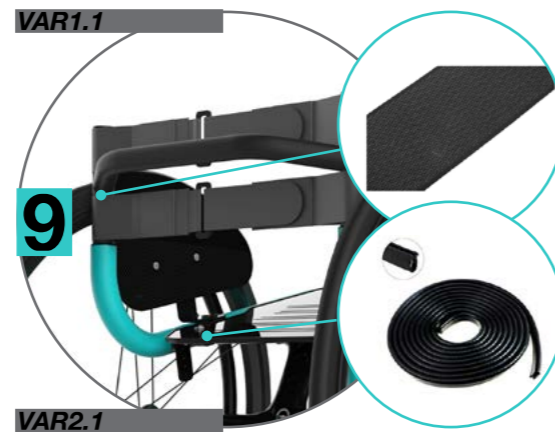
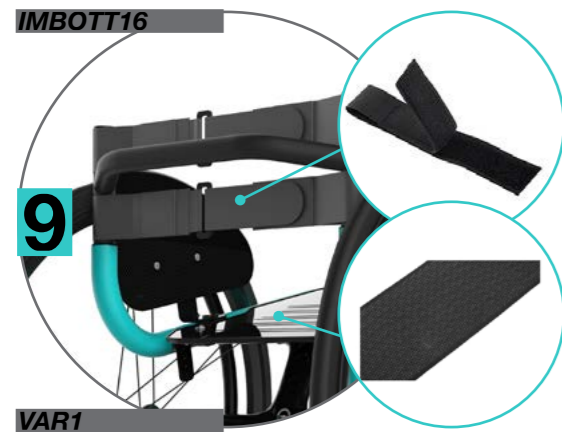
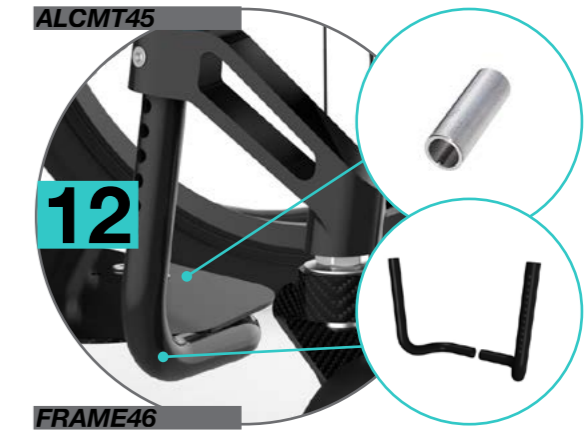
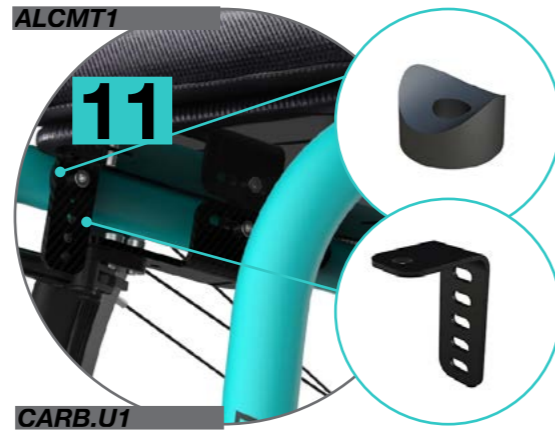
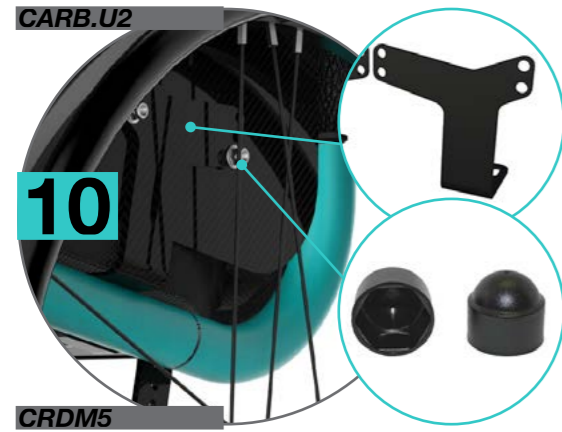
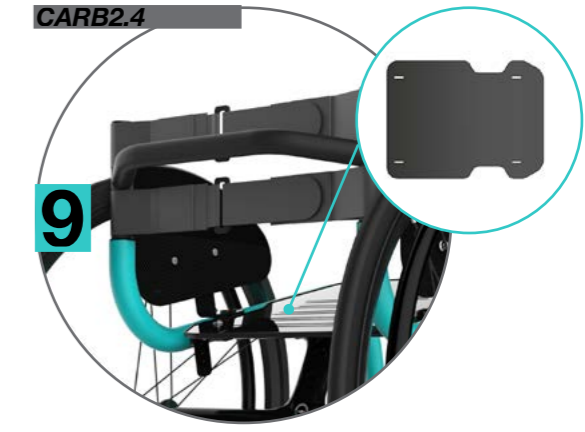
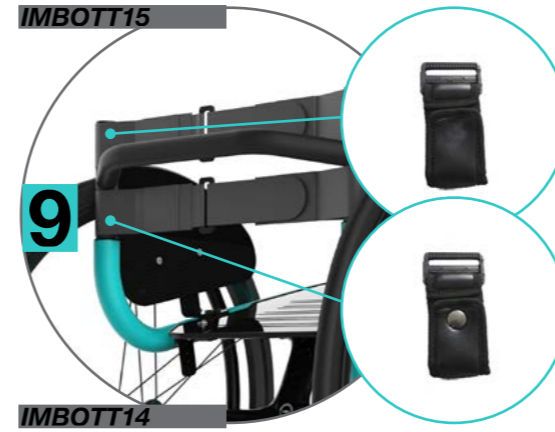
www.ariawheels.com

ULTRA

CODE / CODICE
ULTRA

TYPE / TIPO
PRODUCT / PRODOTTO

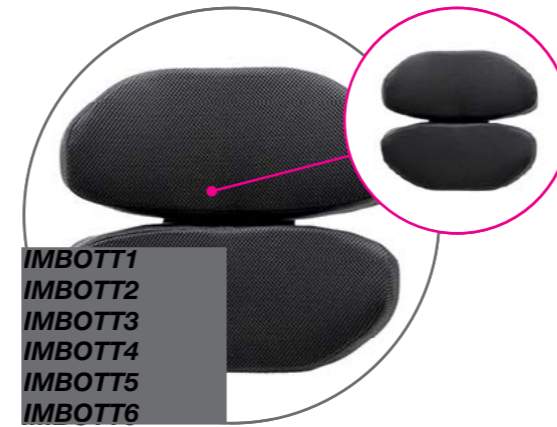
SPARE PARTS / PARTI DI RICAMBIO



BOM AND KIT MANAGEMENT

ALCMT1 Pom-C Black tube adapter for CG adjustment Mod. 1.0Mg and ULTRA
 ALCMT41 Footrest reducer in Pom C for ULTRA
 ALCMT43 Footrest Clamp for 1.0 Mg and ULTRA
 ALCMT45 Footrest connection tube mod. Ultra
 BULL4 Stainless steel screws with hexagonal hollow cylindrical test M5 x 20mm
 BULL9 Stainless steel washer outer diameter 10 mm, hole diameter 5 mm
 BULL11 Hexalobular socket head cap screw M5x12
 BULL12 BOSSARD Hexalobular stainless steel socket head cap screw M5x16
 BULL13 Lock Nut Inox M5
 BULL31 Stainless steel screw with a cylindrical hexagonal socket head M6 x 16mm
 BULL33 Stainless steel screw with a cylindrical hexagonal socket head M5 x 25mm
 BULL35 Stainless steel screw head convex hexagonal socket M6 x 14mm
 BULL48 Hexagonal socket head screws M5 x 12mm
 BULL49 Elastic washer for M6
 BULL51 Elastic washer for M5
 BULL53 Stainless steel Hexagonal socket head screws M5 x 35mm

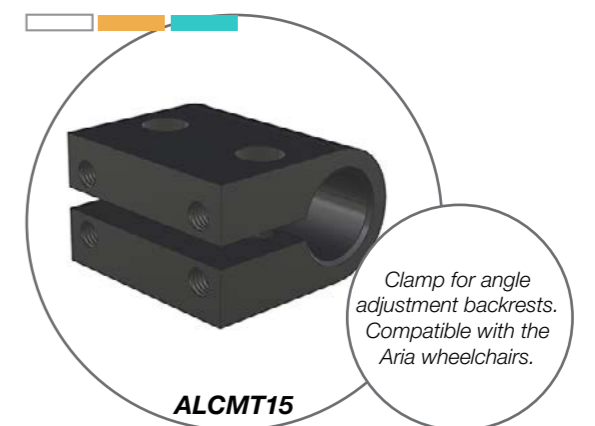
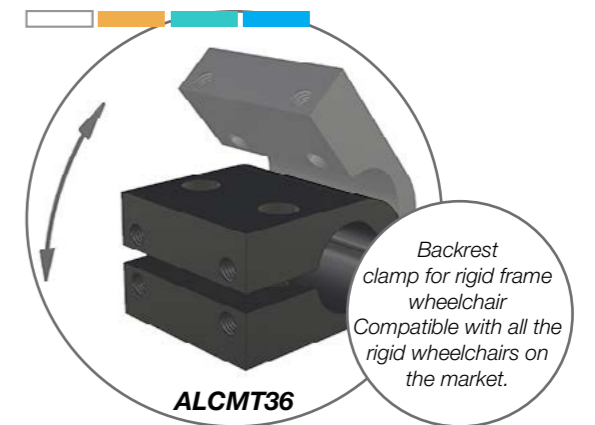
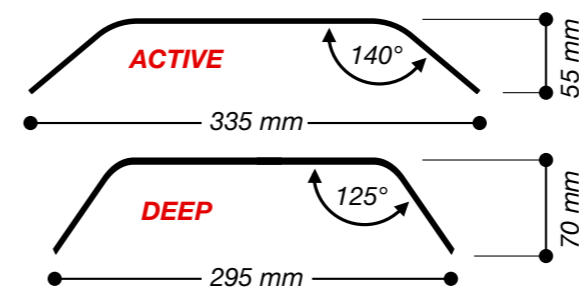
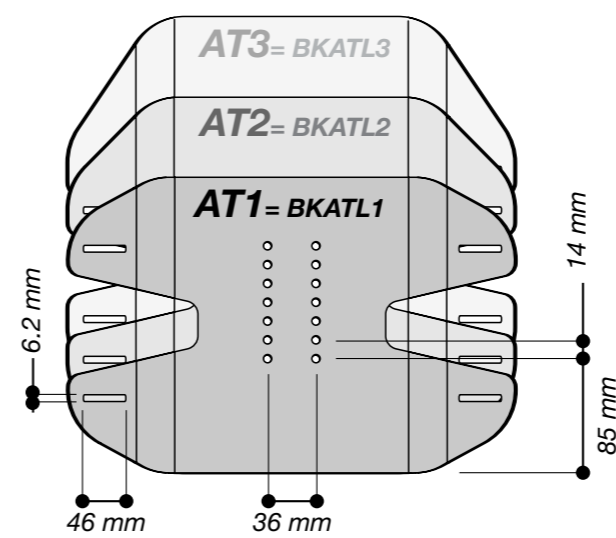
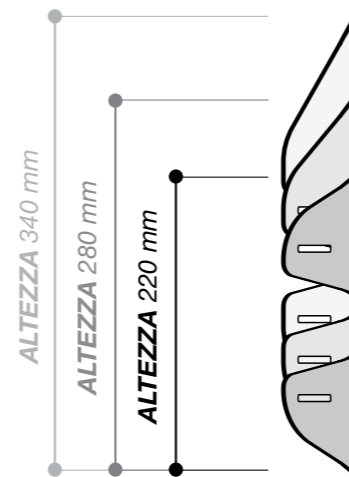
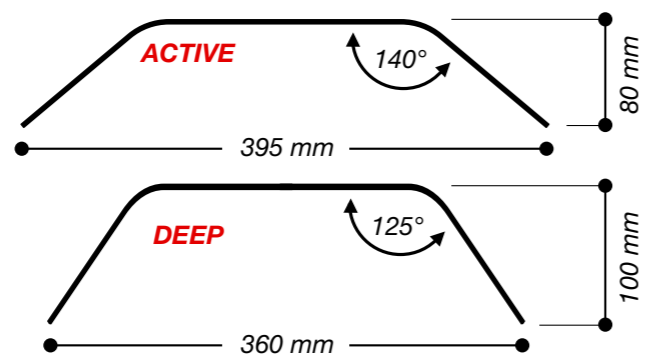
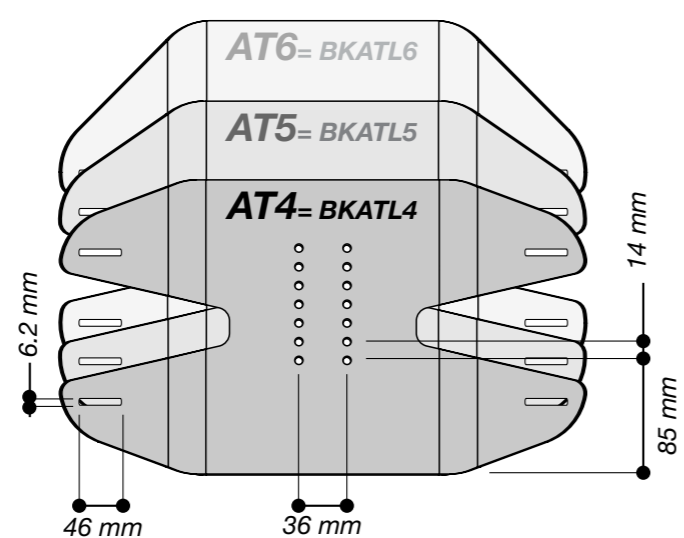
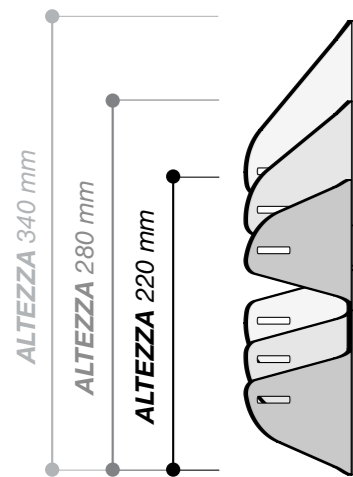
CARB.U1 Carbon fibre Seat support for mod. Ultra
 CARB.U2 Carbon fibre Sideguards support for mod. Ultra - Pair
 CARB.U3 Carbon fibre Brakes support for mod. Ultra - Pair
 CRDM5 Lock Nut Black Plastic Cover M5
 FRAME46 Black painted footrest Ø18x2 for ULTRA - pair
 CARB2.4 Custom carbon fibre seat pan for the Mod. ULTRA
 VAR2.1 Seal for carbon fiber elements - seat plate
 VAR1 Velcro adhesive 5 cm
 VAR1.1 Velcro adhesive 2.5 cm
 FTRCT5-10 Footrest cover in carbon fibre SW... for ULTRA and Aria 1.0 Mg
 VAR2 Seal for carbon fiber elements - backrest and sideguards
 IMBOTT15 Support for the tension belt with eyelet for screw
 IMBOTT14 Support for the tension belt
 IMBOTT16 Tension belt with velcro L=55mm
 IMBOTT8-13 Slightly padded backrest N.....(see the specs in the relating picture)



ARIA® AT
aluminium backrest

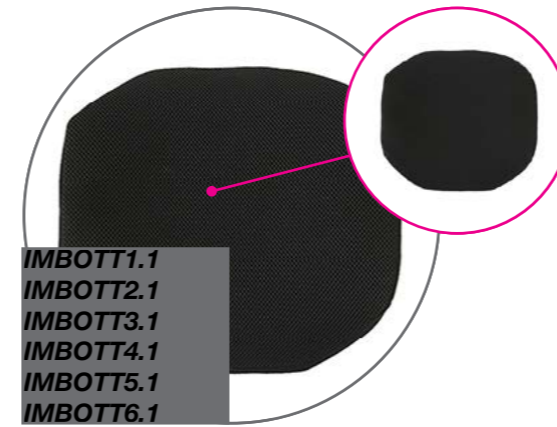
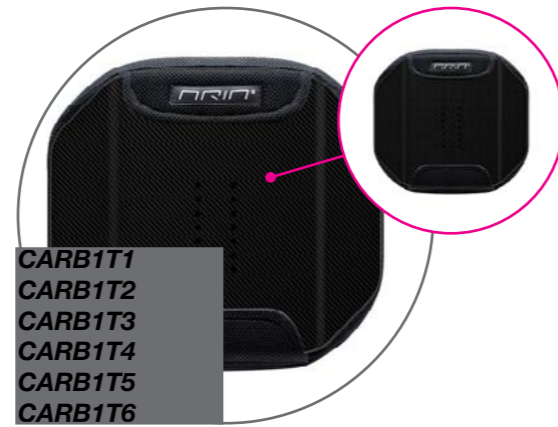
BOM AND KIT MANAGEMENT

- VAR2 Seal for carbon fiber elements - backrest and sideguards
- BULL18 BOSSARD Hexalobular stainless steel socket head cap screw M6x16
- BULL22 Stainless steel washer outer diameter 12 mm
- BKTAL_{1/2/3/4/5/6} Aria® backrest AT... - Only aluminium shell black painted
- IMBOTT_{1/2/3/4/5/6} Aria® Backrests padding and upholstery for ST... and AT...



COMPATIBILITY LEGEND / LEGENDA COMPATIBILITA'

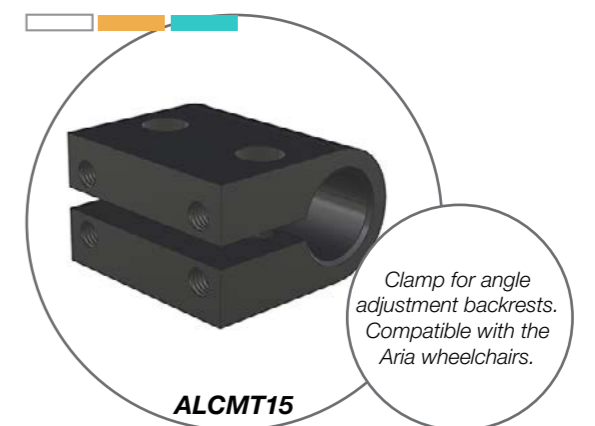
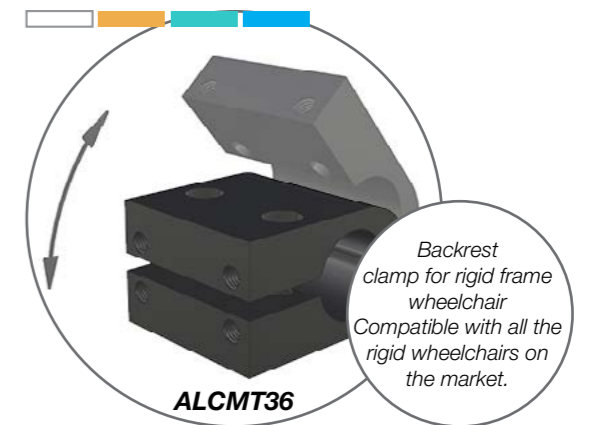
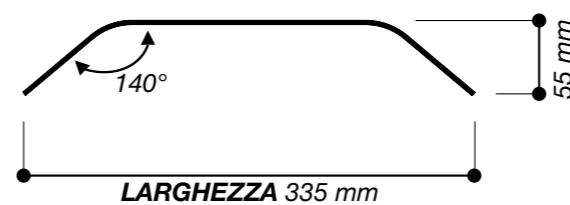
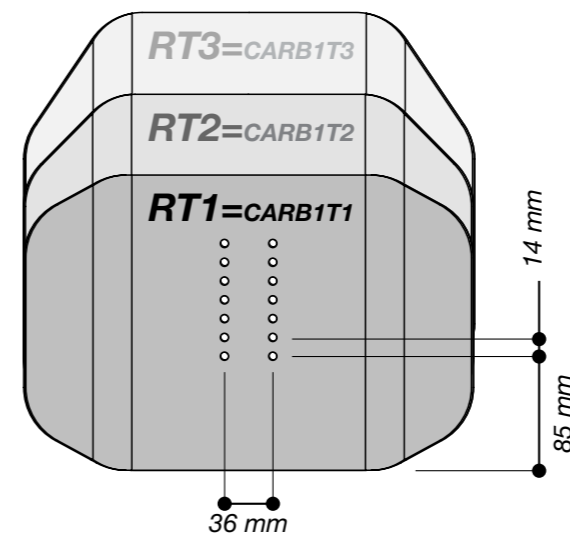
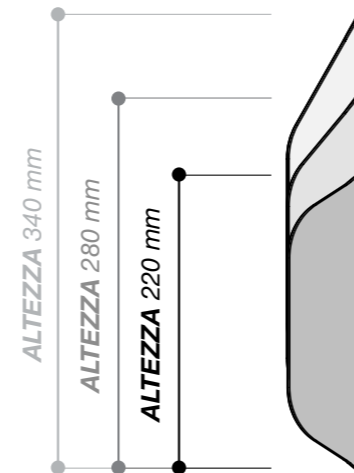
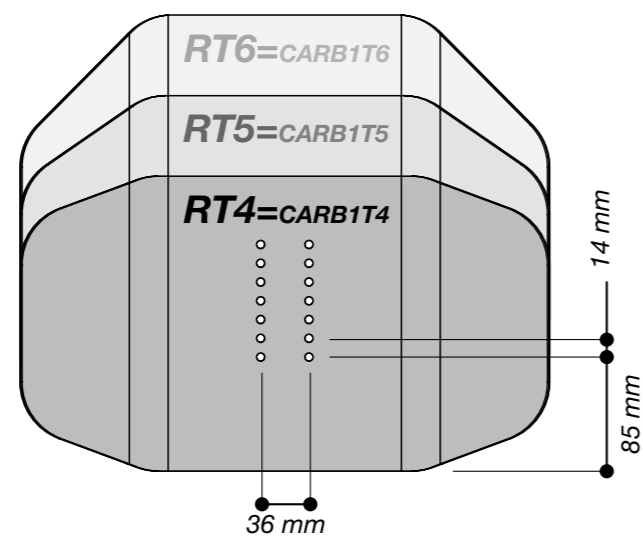
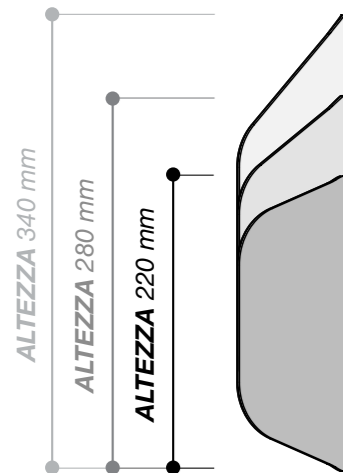
ARIA2_0	ARIA1_0	ULTRA	BACK-RESTS	OTHER BRANDS
---------	---------	-------	------------	--------------

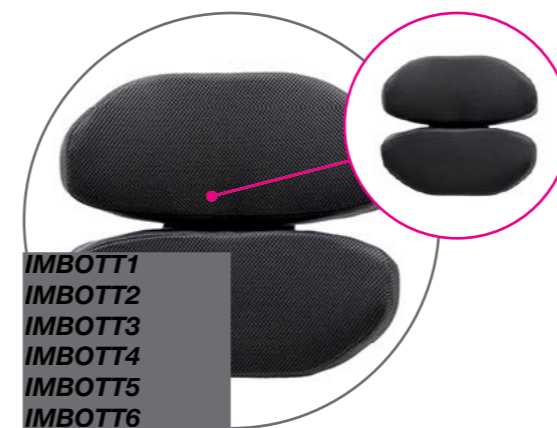


ARIA® RT
carbon fibre backrest

BOM AND KIT MANAGEMENT

- VAR2 Seal for carbon fiber elements - backrest and sideguards
- BULL18 BOSSARD Hexalobular stainless steel socket head cap screw M6x16
- BULL22 Stainless steel washer outer diameter 12 mm, hole diameter 6 mm
- CARB1T_{1/2/3/4/5/6} Aria® backrest RT... - Only carbon fiber shell
- IMBOTT_{1/2/3/4/5/6.1} Aria® Backrests padding and upholstery RT...

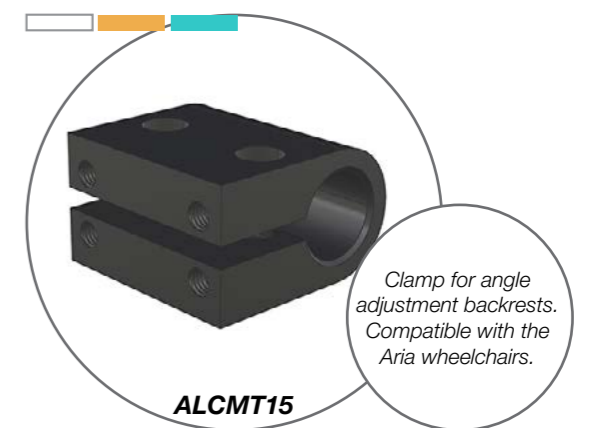
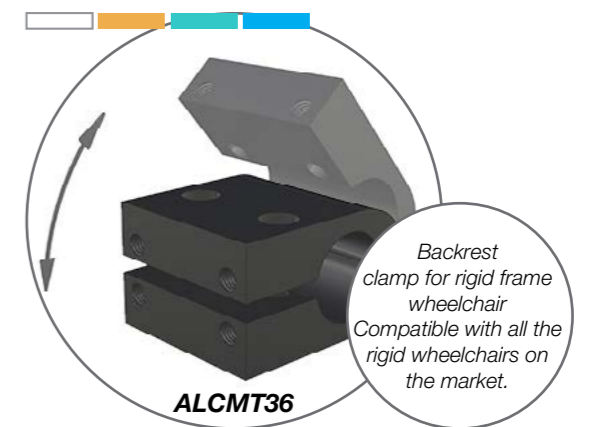
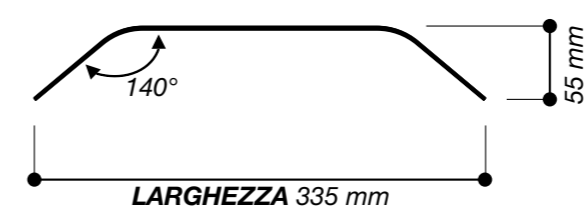
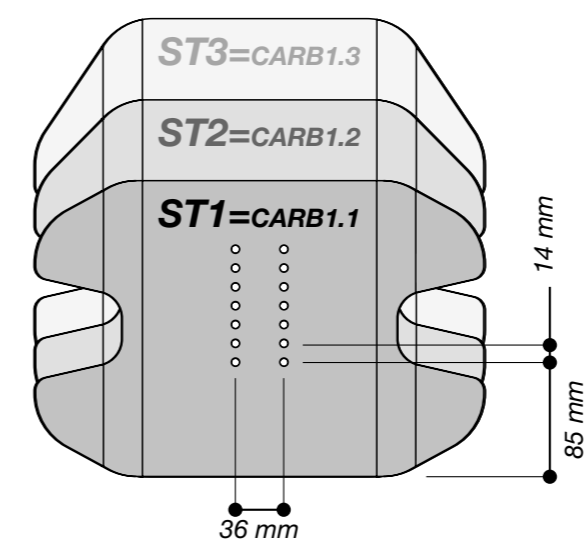
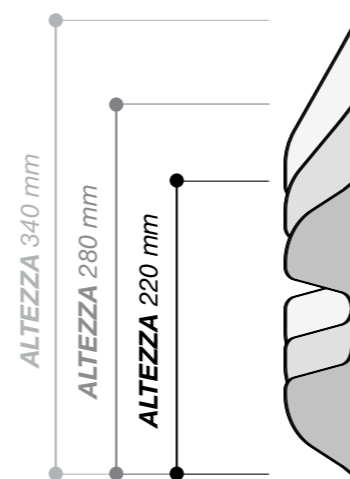
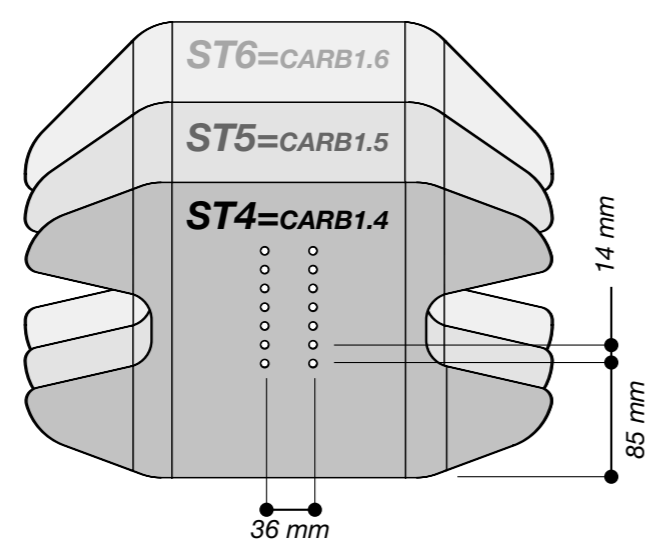
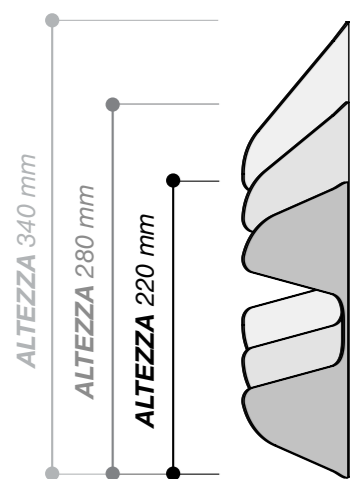


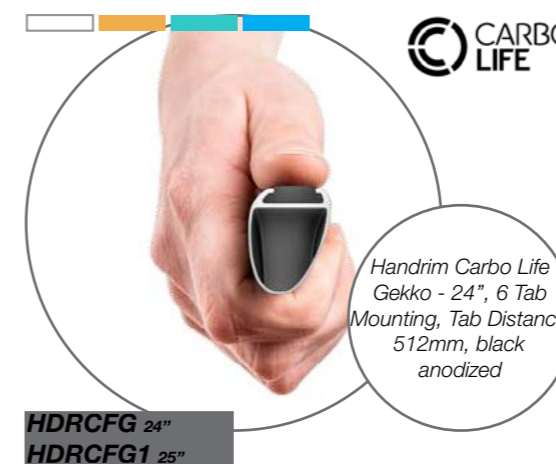
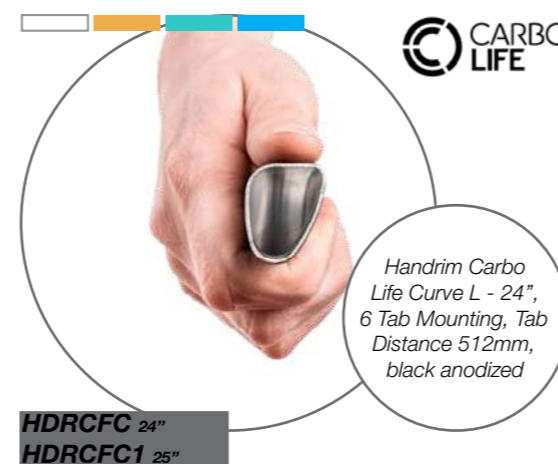
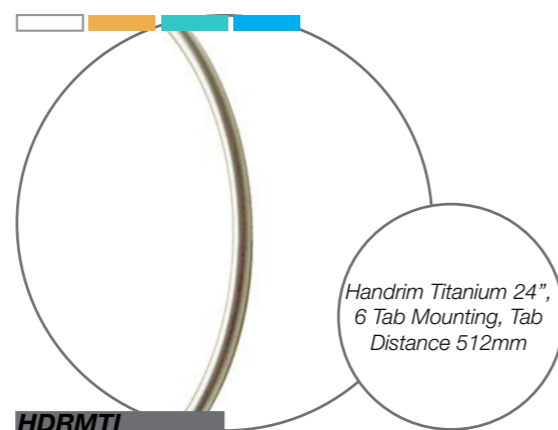
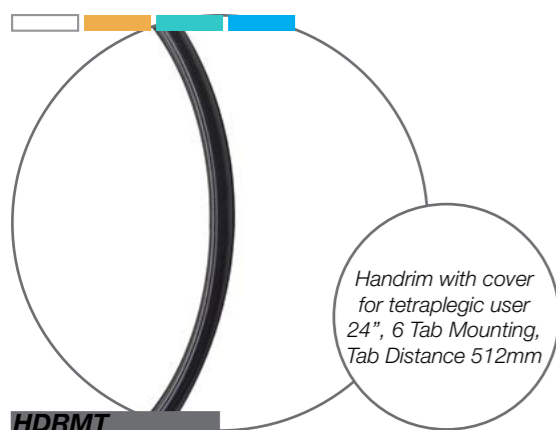
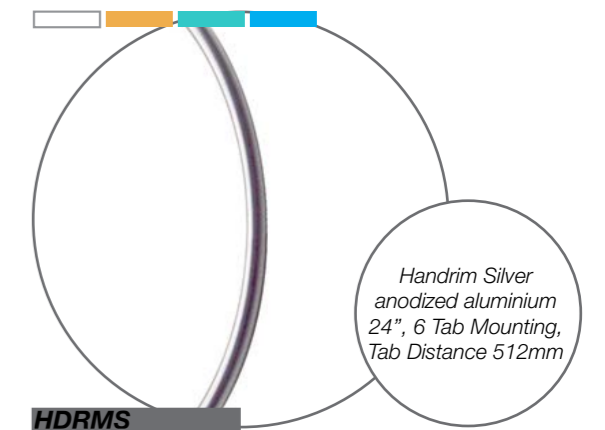
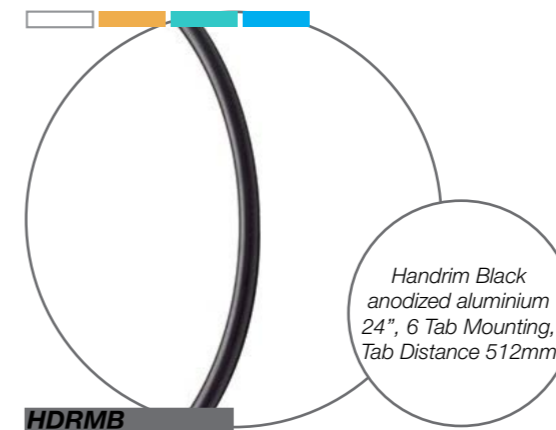
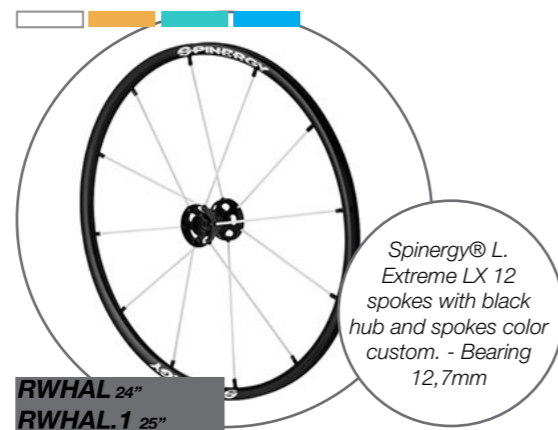
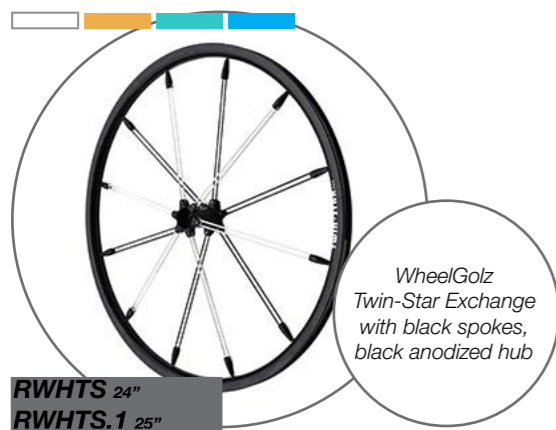
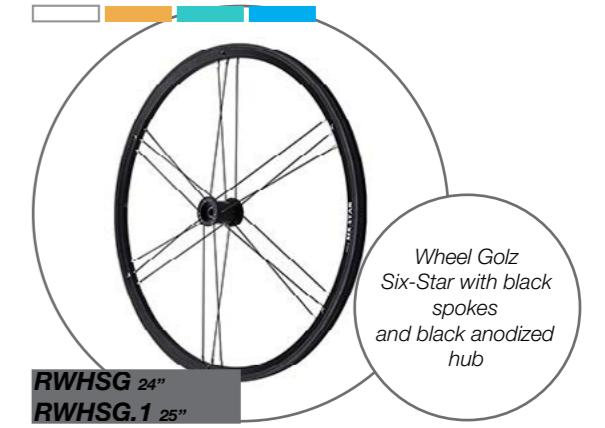
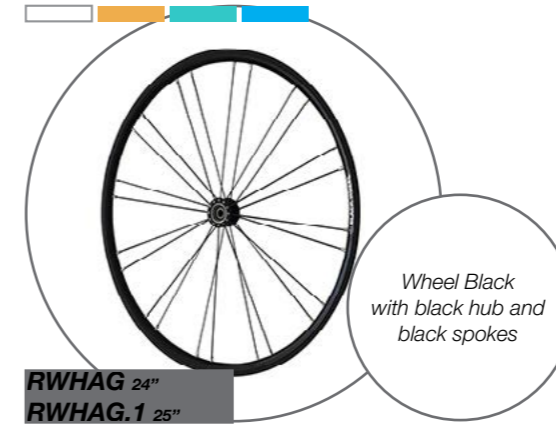
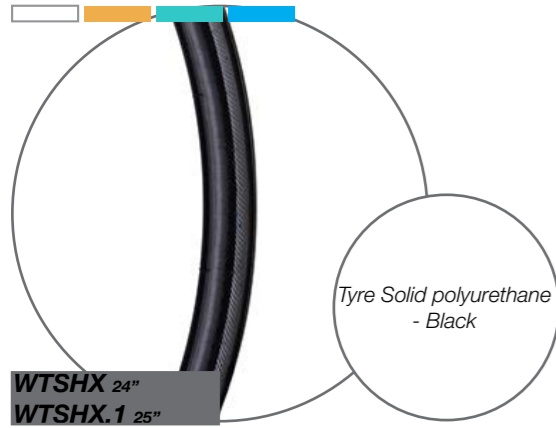
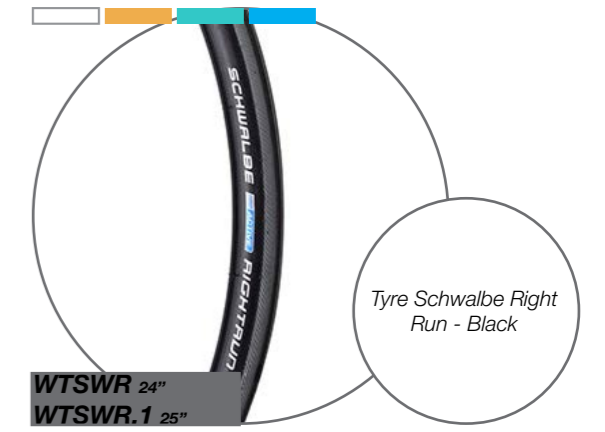
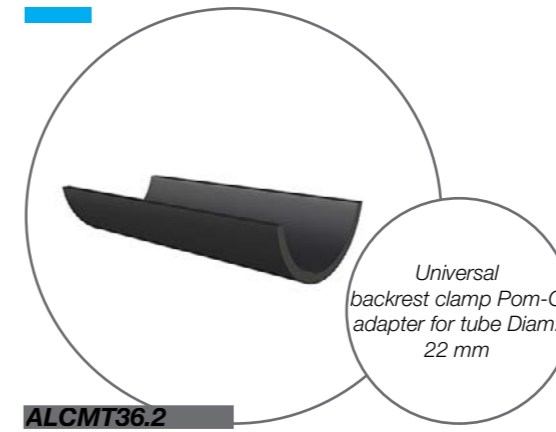
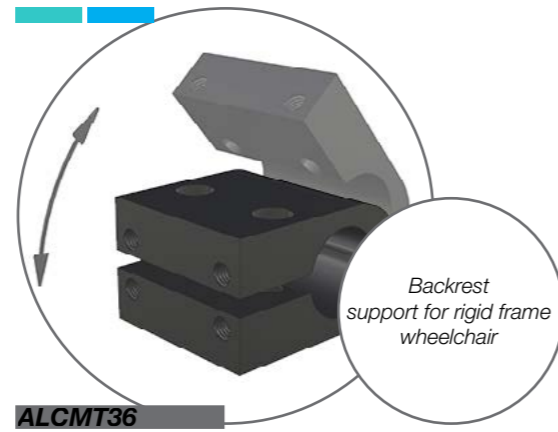


ARIA® ST
carbon fibre backrest

BOM AND KIT MANAGEMENT

- VAR2 Seal for carbon fiber elements - backrest and sideguards
- BULL18 BOSSARD Hexalobular stainless steel socket head cap screw M6x16
- BULL22 Stainless steel washer outer diameter 12 mm, hole diameter 6 mm
- CARBST_{1/2/3/4/5/6} Aria® backrest ST... - Only carbon fiber shell
- IMBOTT_{1/2/3/4/5/6} Aria® Backrests padding and upholstery for ST... and AT...







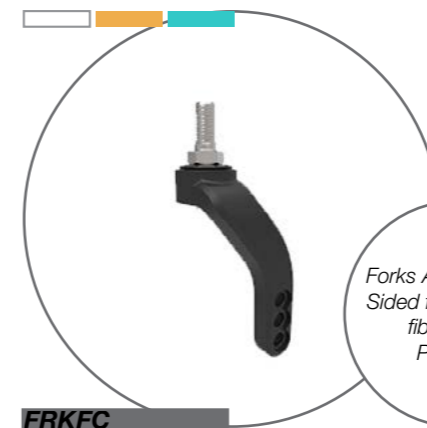
Fork Aria® Double-Sided - black anodized aluminum - Single Pin M12

FRKDS2



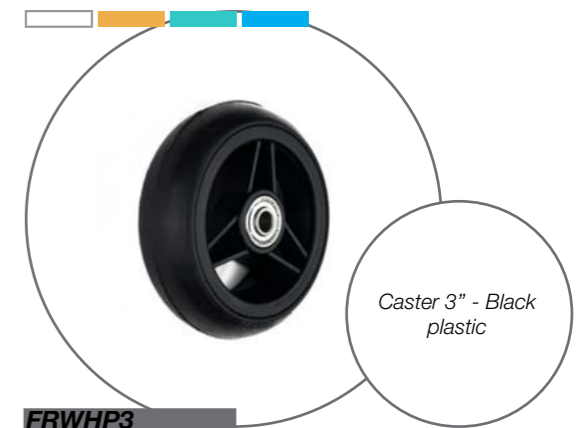
Forks Aria® Single-Sided fork - black anodized aluminum - Pair Pin M12

FRKMNA



Forks Aria® Single-Sided fork - carbon fibre - Pair Pin M12

FRKFC



Caster 3" - Black plastic

FRWHP3



Caster 4" - Black plastic

FRWHP4



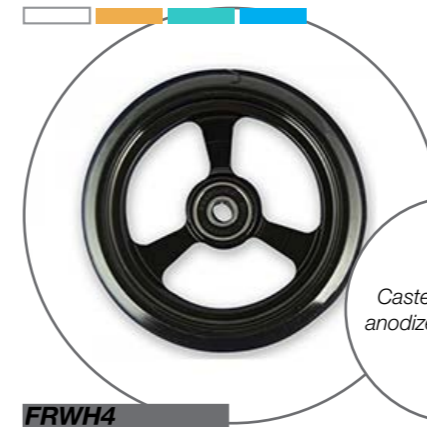
Caster 5" - Black plastic

FRWHP5



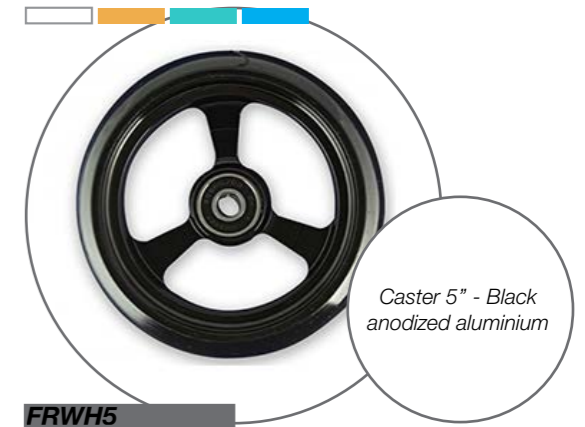
Caster 3" - Black anodized aluminium

FRWH3



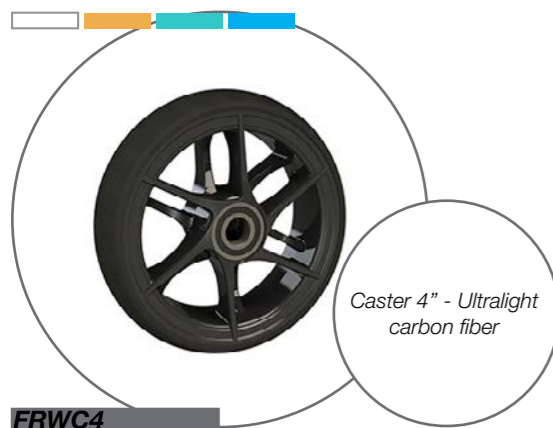
Caster 4" - Black anodized aluminium

FRWH4



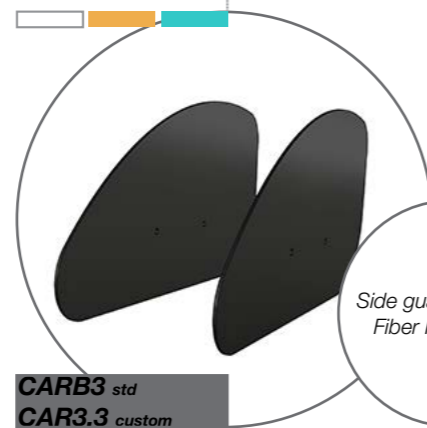
Caster 5" - Black anodized aluminium

FRWH5



Caster 4" - Ultralight carbon fiber

FRWC4



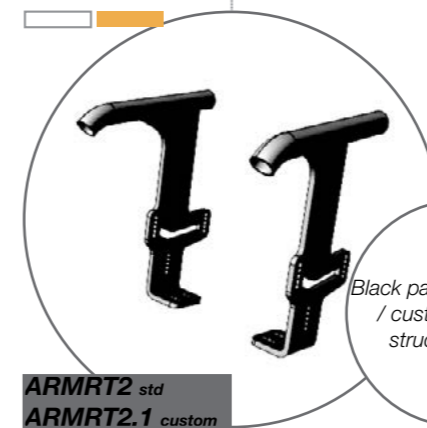
Side guards Carbon Fiber Rigid - pair

CARB3 std
CAR3.3 custom



Side guards Carbon Fiber Fendered supplied as spare part

CARB3.11 std
CARB3.12 custom



Black painted standard / custom armrest structure - pair

ARMRT2 std
ARMRT2.1 custom



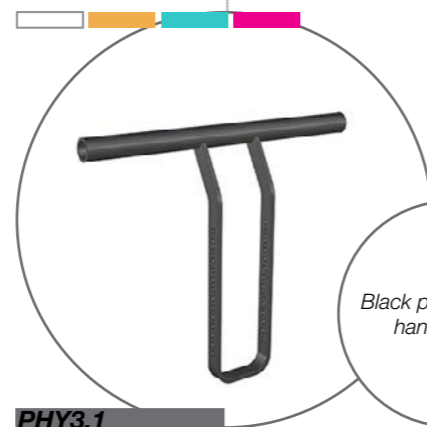
PU armrest upholstery

ARMRT4



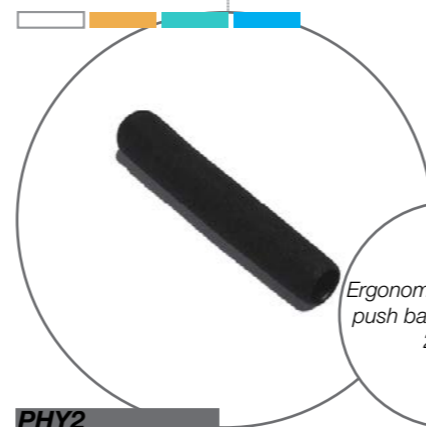
Accessory: Aria® custom cushion made of foam with breathable textile

IMBOTT7



Black painted push handled bar

PHY3.1



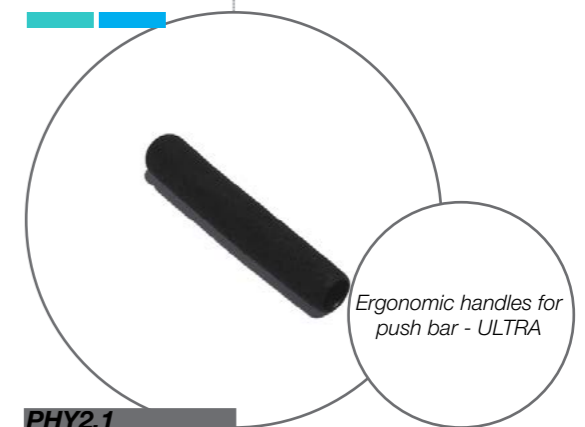
Ergonomic handles for push bars - 1.0 Mg e 2.0 Al

PHY2



Accessory: Adjustable push handles - black matte painted aluminum

ALCMT12

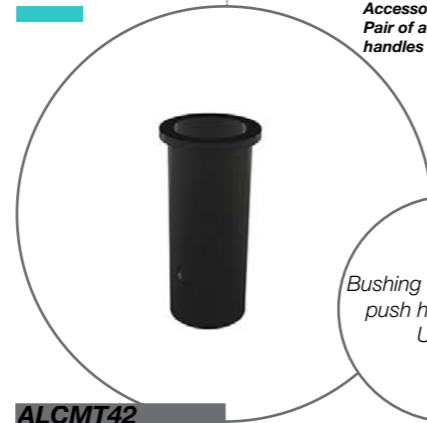


Ergonomic handles for push bar - ULTRA

PHY2.1

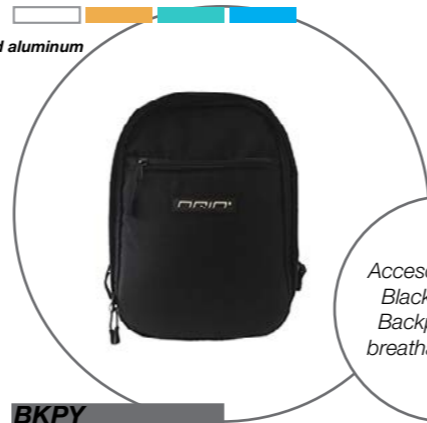
+FRAME32 = PHY1

Accessory:
Pair of adjustable push handles - black matte painted aluminum



Bushing for adjustable push handle mod. ULTRA

ALCMT42



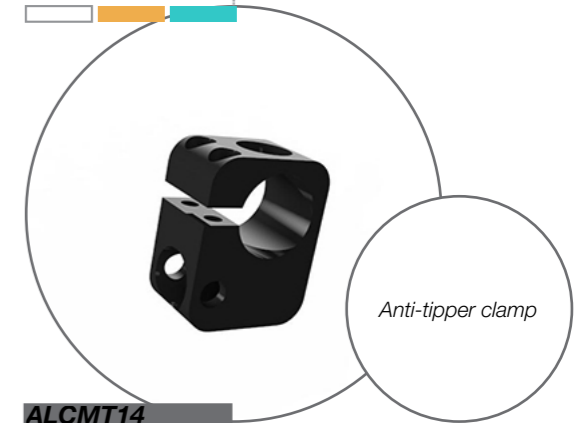
Accessory: Aria® Black cordura Backpack with breathable textile

BKPY



Accessory: Aria® Black cordura under seat bag with velcro fabric

USBG



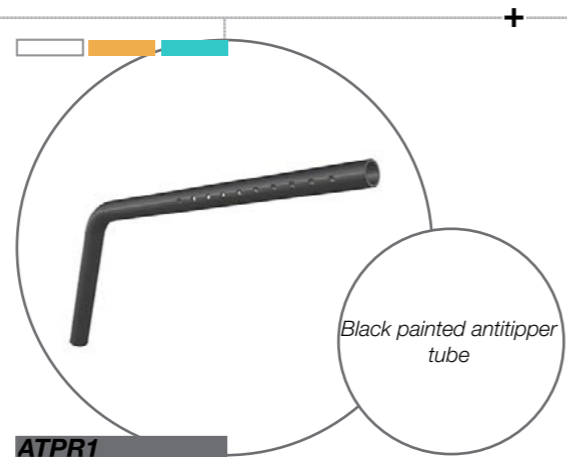
Anti-tipper clamp

ALCMT14



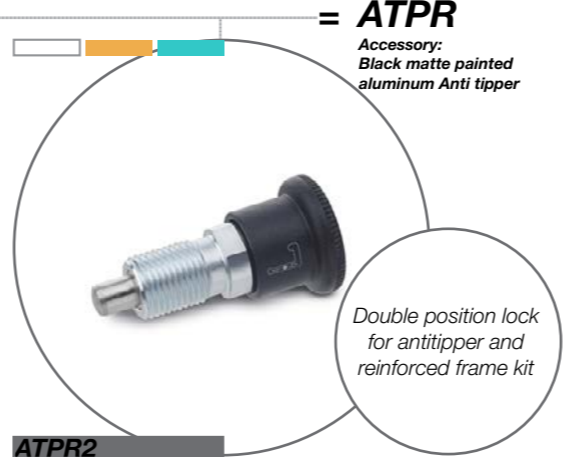
Black cap for tube diam. 22

TA22D



Black painted antitipper tube

ATPR1



Accessory:
Black matte painted aluminum Anti tipper

Double position lock for antitipper and reinforced frame kit

ATPR2



Accessory: Black calf band 9cm

CLFB8

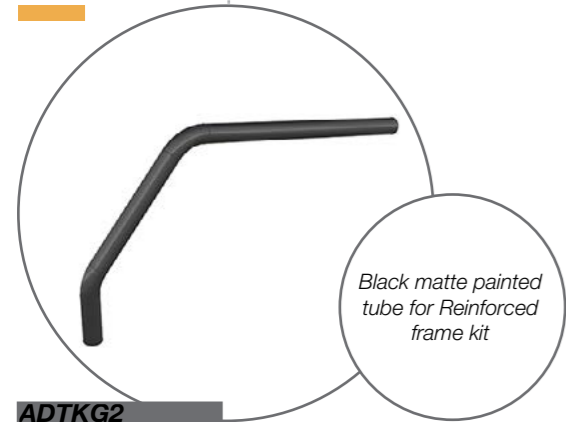


Accessory: Calf band, height 6 cm - black leather

CLFB6L

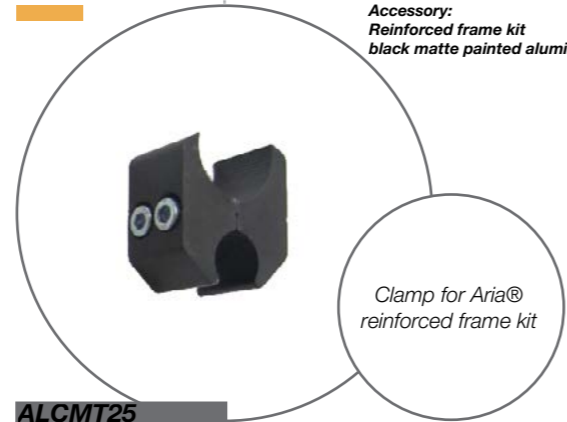
+ TA22D + ATPR2 + ALCMT14 = ADTK

Accessory:
Reinforced frame kit black matte painted aluminum



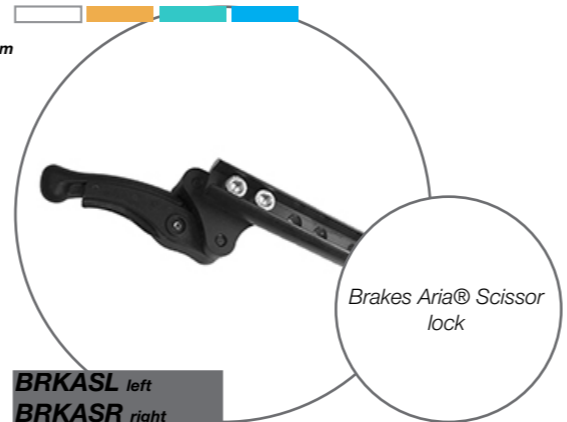
Black matte painted tube for Reinforced frame kit

ADTKG2



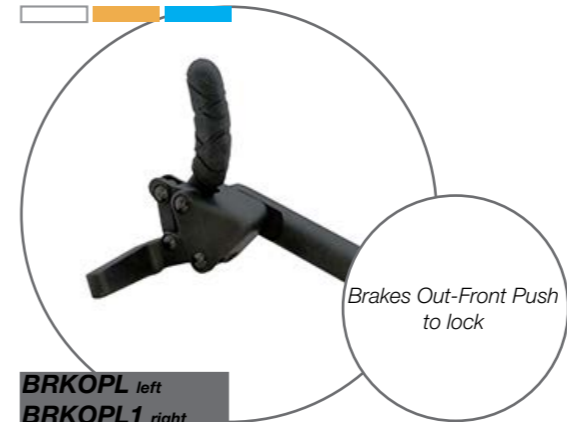
Clamp for Aria® reinforced frame kit

ALCMT25



Brakes Aria® Scissor lock

BRKASL left
BRKASR right



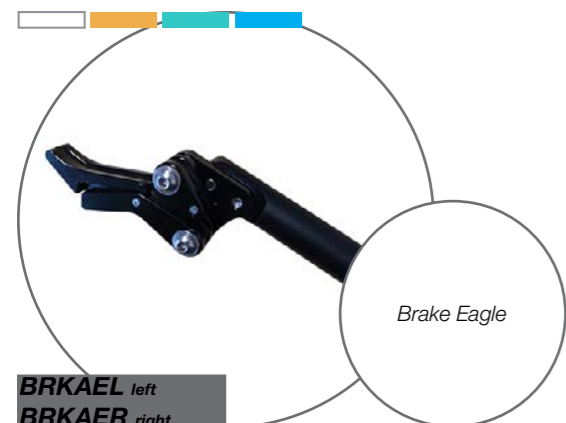
Brakes Out-Front Push to lock

BRKOPL left
BRKOPL1 right



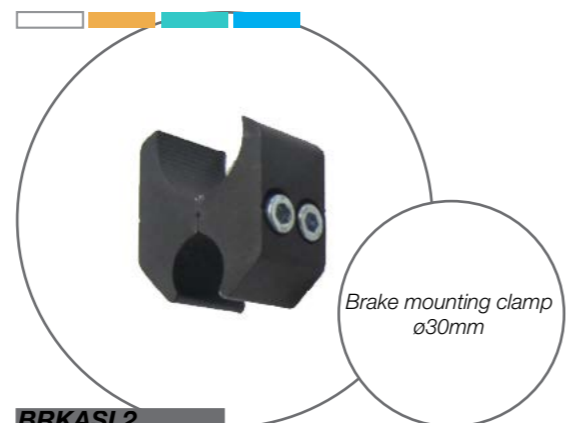
Brakes Out-Front Scissor lock

BRKOSL left
BRKOSL1 right



Brake Eagle

BRKAEL left
BRKAER right



Brake mounting clamp ø30mm

BRKASL2